

STERILWAVE 440

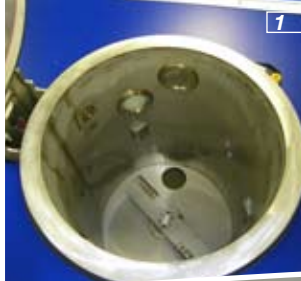
INNOVATIVE SOLUTION TO
MEDICAL WASTE MANAGEMENT



- ▶ On-site conversion of regulated medical waste into ordinary solid waste
- ▶ Fully automated system
- ▶ Sterilwave level of treatment exceeds all regulatory standards including France Ministry of Health and Environment (NF X30-503).
- ▶ Environmental friendly (no effluent or hazardous emission)

www.sterilwave.com

A cost effective solution compared to incineration or other alternative methods



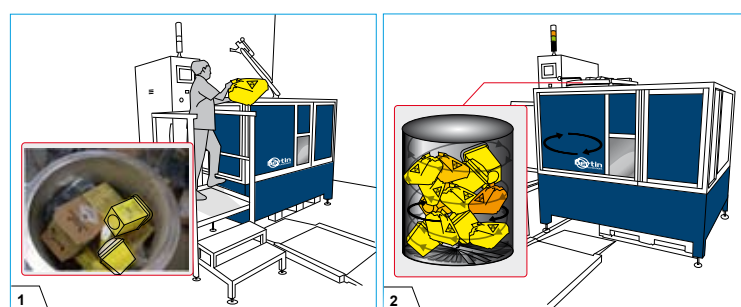
- 1- Chamber
- 2- Bio-hazardous waste
- 3- Grinded waste
- 4- Microwave generator
- 5- Interface to set up the parameters



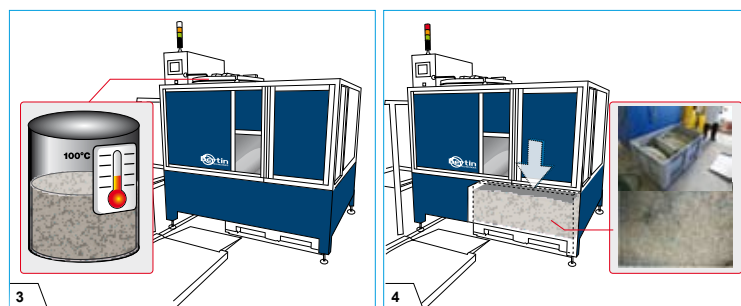
Advantages

- ▶ Reduce the risk
 - No need to store biomedical waste onsite = less risk of exposure for the staff
 - No intermediate handling
- ▶ Reduce your cost
 - On-site sterilization and conversion into classical solid waste
 - Waste reduction: volume by 80% / weight by 25%
- ▶ Easy-to-use
 - Installation in only few hours (no need of pressure to sterilize)
 - Fully automated process - Low maintenance system
- ▶ Environmental friendly
 - No liquid effluent and no hazardous emission
- ▶ Compliant with regulatory standards
 - Reduction of up to 8 log 10 of contamination of the waste

An efficient, safe and easy-to-use solution



1- Loading of the biohazardous waste (manual or automatic) 2- Grinding step to reduce the waste volume



3- Heating for sterilization using microwave solution 4- Transfer of the grinded/sterilized waste into a container

Technical specifications

SPECIFICATIONS	
Dimension (Lx W x H)	200 x 110 x 210 cm
Weight	1000kg + 400kg
Electricity	400V/ 3-Phase
OPERATING DATA	
Automatic Loader included	Yes (Optional)
Volume capacity	440 L
Waste Treatment capacity	35 Kg/ cycle
Cycle time	35-40 microprocess capacity
Microbial Inactivation	Up to 8 log
Volume reduction	Up to 80%
Weight reduction	Up to 25% (Dry waste)
CONSUMPTION	
Electricity	15kWh
NORMS	
NFX30 503	Validated NF X30-503

An innovative automated system to sterilize bio-hazardous waste.

It converts any hazardous waste into ordinary solid waste. No special transport is needed to transfer final waste.

It reduces waste volume of 80% and grinds the waste to make it unrecognizable (normative constraint).

Sterilwave level of treatment exceeds all regulatory standards including NF X30-503.

Bertin Technologies

10 Avenue Ampère - 78180 Montigny-le-Bretonneux

- Phone** +33 (0) 1 39 30 61 60
- Fax** +33 (0) 1 39 30 61 85
- E-mail** sterilwave@bertin.fr
- Web** www.bertin.fr
www.sterilwave.com

